

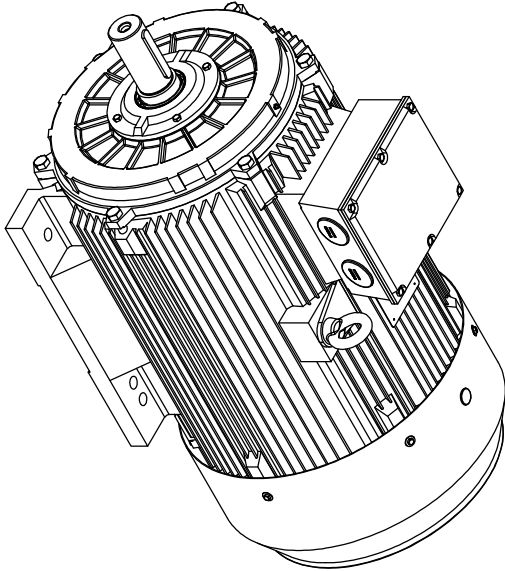
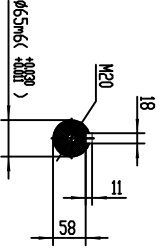
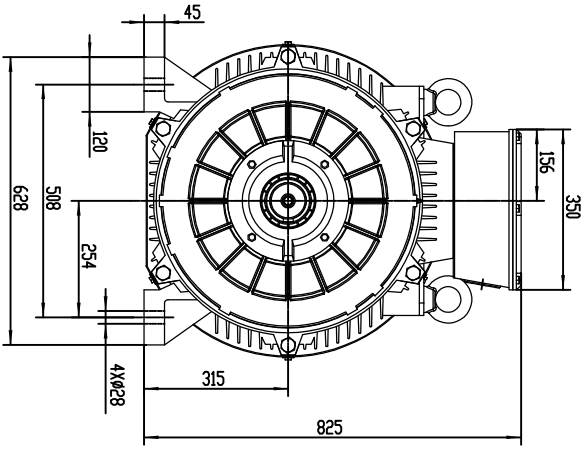
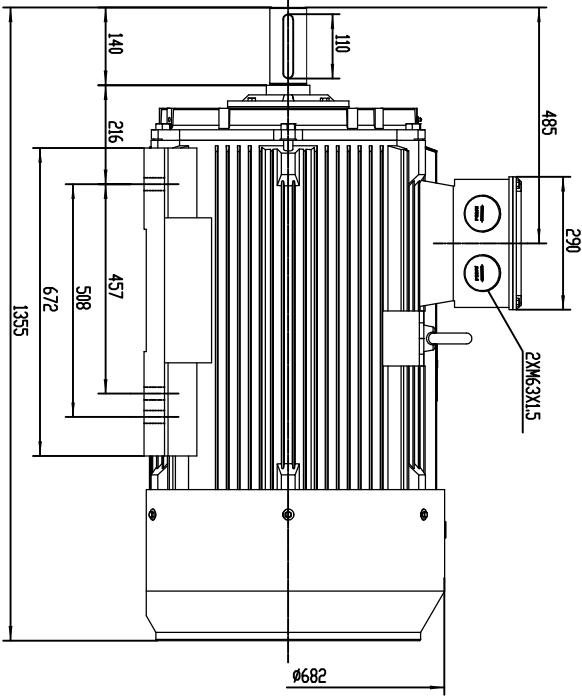
ECOL MOTOR
MODEL D1S 315L1-2
TECHNICAL DATA SHEET

General Data	
Frame size	315
Housing material	Casting iron
Install model	According to the standard
Type of feet	Removable feet (Standard) Fixed feet (Optional)
Net weight	1010 kg
Insulation class	F (Standard)
	H (Optional)
Protection degree	IP 55 (Standard)
	IP 56 (Optional)
Thermal protection	Without (Standard)
	Customizable (Optional)
Service duty	S1
Vibration level	A
Balance	Half-key balanced
Cable glands	2 - M63x 1.5
Cooling	IC 411
Painting color	RAL 7024 (Standard)
	Customizable (Optional)
Regulations	IEC / DIN / ISO / VDE / EN
Standard	IEC 60034

Environmental conditions	
Ambient temperature	From -20°C to +40°C
Maximum altitude	1000 m above sea level

Electrical Data		
Output	160	kW
Frequency	50	Hz
Voltage (±5%)	400	V Δ @ 50Hz
	690	V Y @ 50Hz
	480	V Δ @ 60Hz
	828	V Y @ 60Hz
Rotation speed	2945	RPM @ 50Hz
	3534	RPM @ 60Hz
Rated current	273.56	A (In) @ Δ 50Hz
	157.94	A (In) @ Y 50Hz
Starting current	7.1	xIn
Rated torque	518.85	Nm (Mn)
Starting torque	1.8	xMn
Breakdown torque	2.2	xMn
		IE1
Efficiency	93.8	@ 100% load
	94.2	@ 75% load
	93	@ 50% load
Power factor cosφ	0.9	@ 100% load

Mechanical Data		
Bearings brand	C&U	(Standard)
	Customizable	(Optional)
Bearings type	6317 C3	(DE)
	6317 C3	(NDE)
Lifetime of bearings		- hours
Allowed radial load		6800 N
Allowed axial load		64700 N
Grease type	polyurea-based grease	
Lubrication interval of NDE bearing		3200 h
Lubrication interval of DE bearing		3200 h
Moment of inertia	1.711990	Kg*m ²
Noise level	99	dB(A)



					DS 315M/L-2P B3 MOUNT					1HMV.010.T111B				

2024.01.01

DESSUN MOTOR
DIS SERIES

RATE

1:8