

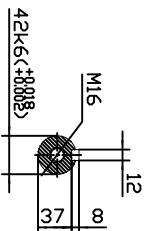
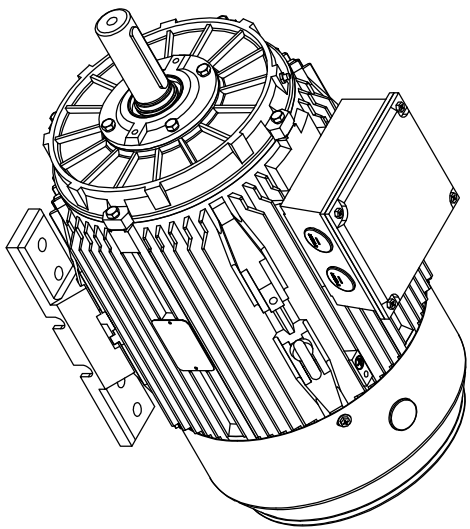
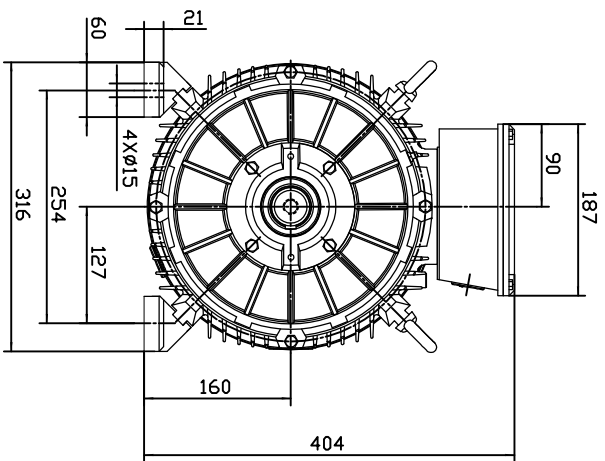
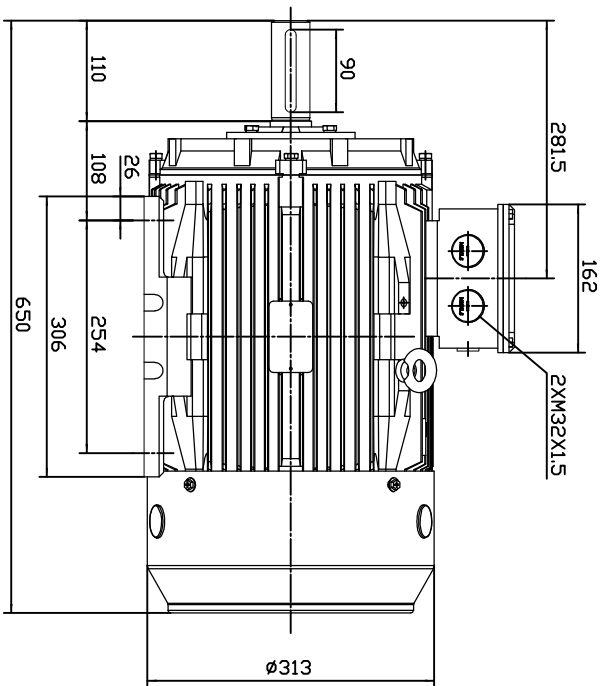
**ECOL MOTOR**
**MODEL D1S 160L-2**
**TECHNICAL DATA SHEET**

General Data	
Frame size	160
Housing material	Casting iron
Install model	According to the standard
Type of feet	Removable feet (Standard) Fixed feet (Optional)
Net weight	140 kg
Insulation class	F (Standard)
	H (Optional)
Protection degree	IP 55 (Standard)
	IP 56 (Optional)
Thermal protection	Without (Standard)
	Customizable (Optional)
Rotation direction	Clockwise (Standard)
	Counter clockwise (Optional)
Service duty	S1
Vibration level	A
Balance	Half-key balanced
Cable glands	2 - M32× 1.5
Cooling	IC 411
Painting color	RAL 7024 (Standard)
	Customizable (Optional)
Regulations	IEC / DIN / ISO / VDE / EN
Standard	IEC 60034

Environmental conditions	
Ambient temperature	From -20°C to +40°C
Maximum altitude	1000 m above sea level

Electrical Data		
Output	18.5	kW
Frequency	50	Hz
Voltage (±5%)	400	V Δ @ 50Hz
	690	V Y @ 50Hz
	480	V Δ @ 60Hz
	828	V Y @ 60Hz
Rotation speed	2910	RPM @ 50Hz
	3492	RPM @ 60Hz
Rated current	33.6	A (In) @ Δ 50Hz
	19.4	A (In) @ Y 50Hz
Starting current	7.5	xIn
Rated torque	60.71	Nm (Mn)
Starting torque	2.2	xMn
	2.3	xMn
Efficiency	IE1	
	89.3	@ 100% load
	91	@ 75% load
	89.5	@ 50% load
Power factor cosφ	0.89	@ 100% load

Mechanical Data		
Bearings brand	C&U	(Standard)
	Customizable	(Optional)
Bearings type	6309 C3	(DE)
	6309 C3	(NDE)
Lifetime of bearings		- hours
Allowed radial load		1403 N
Allowed axial load		21200 N
Grease type	polyurea-based grease	
Lubrication interval of NDE bearing		12000 h
Lubrication interval of DE bearing		12000 h
Moment of inertia	0.064360	Kg*m <sup>2</sup>
Noise level	86	dB(A)



DS 160L B3

DS 160L B3 MOUNT			
DESSUN MOTOR DIS SERIES		1HMV.010.1049B	
		RATE	
		1/4	