

# DIESEL ENGINE

# MODEL 6DSG-352

## Performances

Ratings		1500 rpm		1800 rpm	
		PRIME	STAND-BY	PRIME	STAND-BY
Rated Output	kWm	320	352	320	352

Note:

**PRIME POWER:** The prime power is the maximum power available with varying loads for an unlimited number of hours. The average power output during a 24h period of operation must not exceed 80% of the declared prime power between the prescribed maintenance intervals and at standard environmental conditions. A 10% overload is permissible for 1 hour every 12 hours of operation.

**STAND-BY POWER:** The stand-by power is the maximum power available for a period of 500 hours/year with a mean load factor of 90% of the declared stand-by power. No kind of overloads is permissible for this use.

## Specifications

### Mechanical system

Engine model	6DSG-352 (50Hz)	6DSG-352 (50Hz)
Engine type	In-line, 4 stroke, water cooled	
Combustion type	direct injection	
Cylinder type	Dry liner	
Air intake type	Turbocharger and intercooler	
Cylinder No.	6	
Bore*Stroke(mm)	126*155	
Total displacement(L)	11.596	
Compression ratio	16:1	
Firing order	1-5-3-6-2-4	
Injection timing	14°±1°	16°±1°
Speed governor	Electronic governor, ≤1%	
Exhaust temperature (°C)	≤600	
Mean Effective Pressure (KPa)	2208	1840
Noise Level(dBA)	≤108	
Exhaust gas back pressure(KPa)	5	
Exhaust flow (kg/h)	1886	2240
Cooling air flow (m³/h)	6.8	8.5
Air for combustion flow (m³/h)	1580	11787
Piston Speed(m/s)	7.75	9.3
Dry weight (kg)	1050	
Dimension(L*W*H)(mm)	2230*780*1539(with radiator)	
Rotation	Counter clockwise viewed from flywheel	
Flywheel housing/flywheel	SAE1/ 14"	

**Mechanism**

Type	Over head valve
Valves per cylinder	2
Valve lash(cold state)	Air intake valve 0.30mm Exhaust valve 0.40mm

**Valve timing** (crankshaft rotating angel)

Air intake valve open	34°-39° before top dead center
Air intake valve close	61°-67° after bottom dead center
Exhaust valve open	76°-81° before bottom dead center
Exhaust valve close	26°-34° after top dead center

**Specific fuel consumption**

rpm	1500	1800
Fuel consumption (g/kWh)	≤198	

**Oil consumption**

Oil consumption(g/kWh)	≤0.792
------------------------	--------

**Fuel system**

Fuel injector pump	In-line "PW" type
Governor model	RSV full range type
Feed pump	Mechanical type
Injection nozzle	DELPHI brand, multi hole type
Fuel filter	Fleetguard brand Double and spin-on type/water separator
Fuel	Diesel

**Lubrication system**

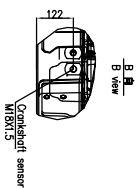
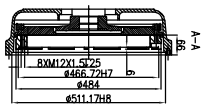
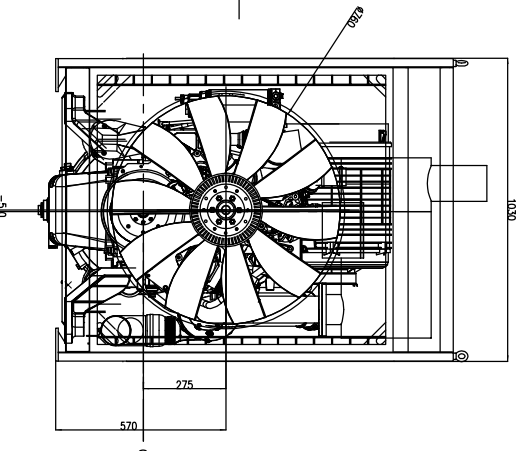
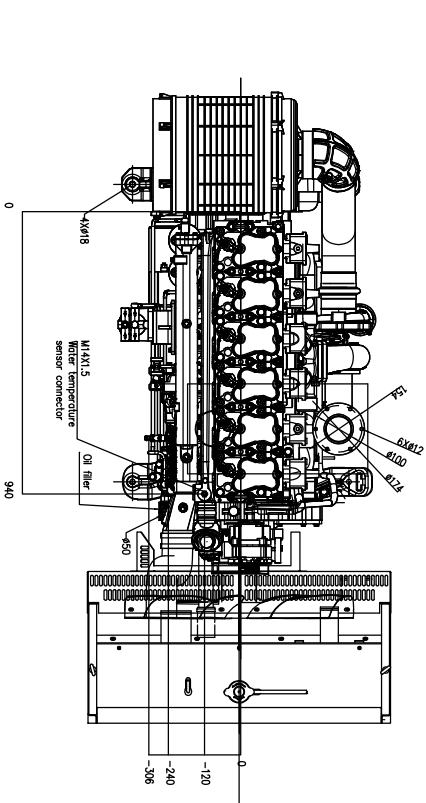
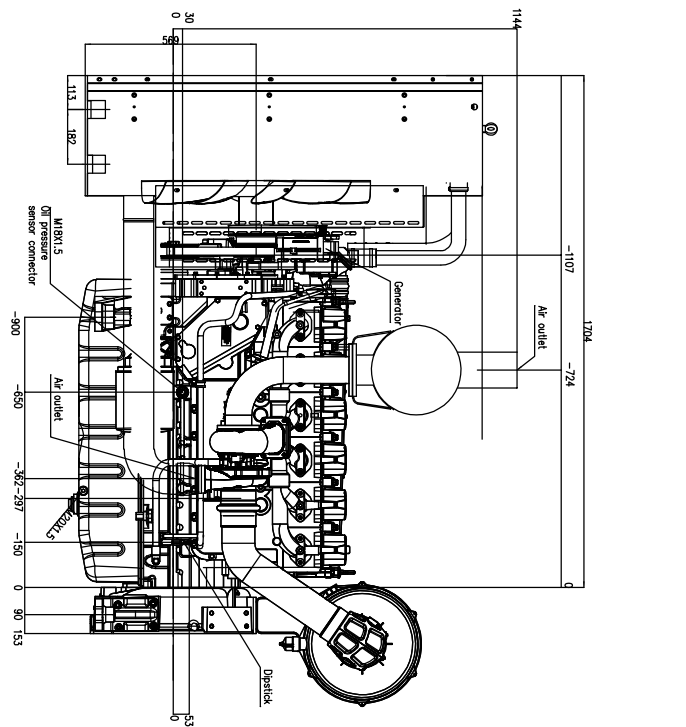
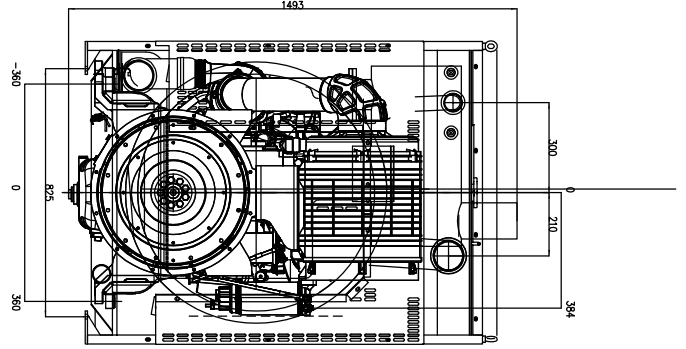
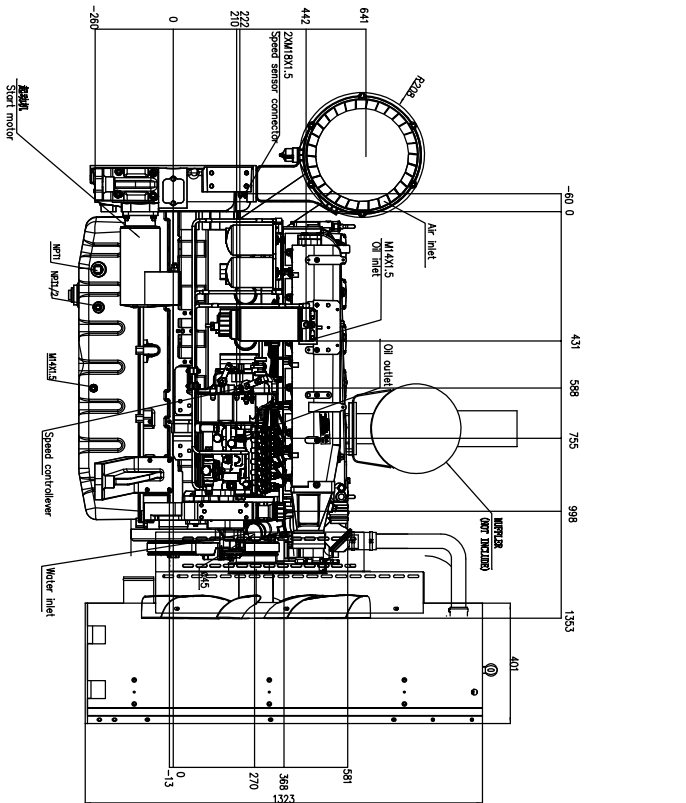
Type	Fully forced pressure feed type
Oil pump Displacement/speed (L/min/r/min)	Single grade gear type 144/2241
Oil filter	Spin-on type
Lube oil total system capacity	26L including pipes, filters etc.

**Cooling system**

Cooling method	Water cooled, forced circulation
Coolant capacity: engine only	15L
engine+radiator	48L
Water pump type	Centrifugal type driven by belt
Water pump capacity(L/min)	2500r/min, ≥383
Thermostat	Opening temp.71±2°C full open temp.82°C
Cooling fan	Φ840m, 6blades, PA

**Electronic system**

Charging alternator	28v/1000w
AVR	Built-in type brushless
Starting motor	24v/8.1kW brushless
Battery capacity	2pcs 12v/185Ah



CUSTOMER				TITLE			
-				DESSIN ENGINE ASSEMBLY			
-				605G-352			
SCALE	1/5	DATE	18/09/20	CONTRACT	NO. 20180820-00	PROJ. NO.	605G-352
APPROVAL		APPROVAL		APPROVAL		APPROVAL	
CLIENT		CLIENT		CLIENT		CLIENT	