

# DIESEL ENGINE

## KDP SERIES FOR FIRE PUMP

### Model: 6KDP-185

**Prime power** 185.0KW(251HP)/3000 rpm  
**Standby Power** 204.0KW(277HP)/3000 rpm

#### Engine Specifications

In-Line, 4 stroke, water-cooled, **Turbocharger and Intercooler**

Combustion type	Direct injection
Cylinders - Bore × stroke	6 - 108 × 132 mm
Displacement	7255 cc
Firing order	1 – 5–3 –6–2– 4
Compression ratio	17.5 : 1
Dry weight	Approx. 680 kg
Dimension(LxWxH)	1650 × 800 × 1200 mm
Rotation	Anti-clockwise
Flywheel / Housing	SAE # 11.5 / # 2

#### Cooling System

Cooling method	Fresh water forced type
Water pump	Centrifugal, Belt driven
Max. water Temp	95 degree C.
Cooling Fan	Blade 7EA - Ø 650 mm

#### Intake & Exhaust System

Max air restriction	Clean 2 kPa / Dirty 5 kPa
Exhaust back	Max 6 kPa

#### Electric System

Charging generator	27.5 V × 36 A
Starting motor	24 V × 7.5 kW
Battery	12 V x 2 x 120 Ah

#### Fuel System

Injection pump	Direct Injection type
Governor	Mechanicaltype
Feed pump	Mechanicaltype
Injection nozzle	Multi-hole type/ 0.255 mm
Opening pressure	20+0.5MPa
Fuel filter	Single Stage, Paper

#### Fuel Consumption

Prime power at 3000rpm	47.0 liters/h
Standby Power at 3000rpm	51.7 liters/h

#### Lubrication System

Lub. Oil Pan Capacity	17 liters
Max. allowable Oil Temp	110 degree C.
Oil pressure	Min. 294 kPa Max. 490 kPa

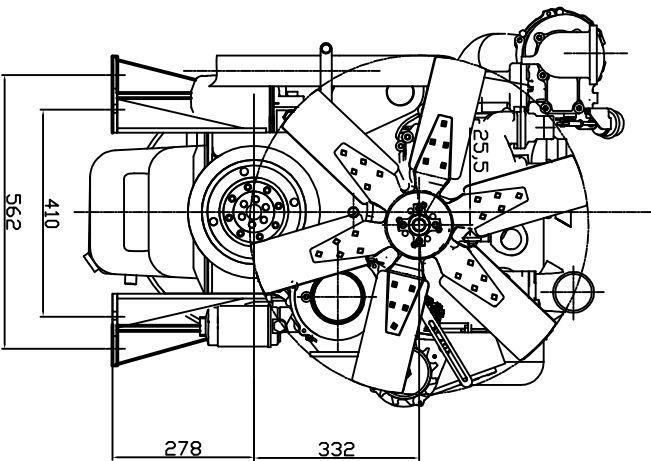
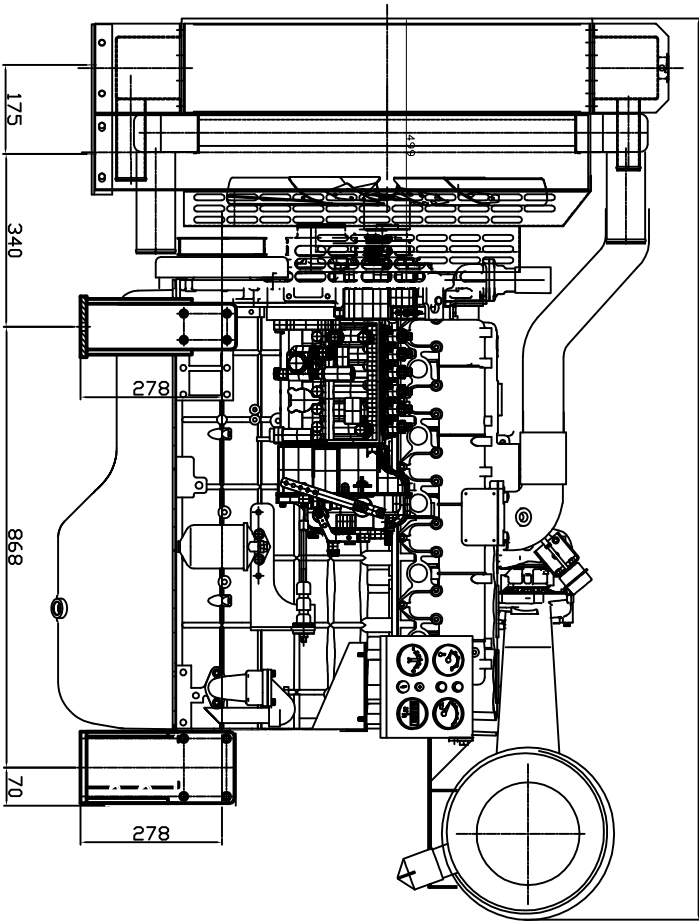
#### Engineering Data

Combustion Air	13.00m <sup>3</sup> /min
Exhaust Gas	31.45m <sup>3</sup> /min

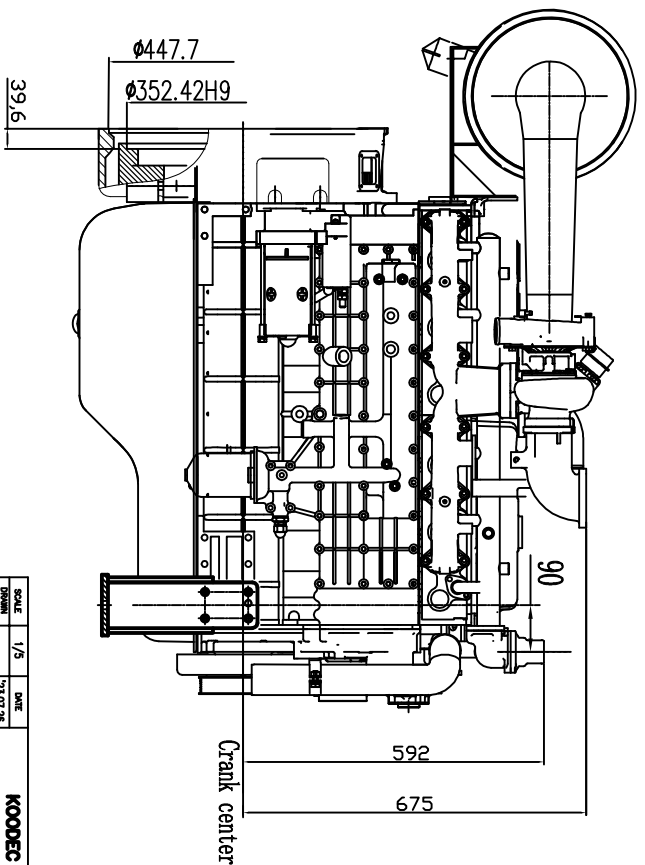
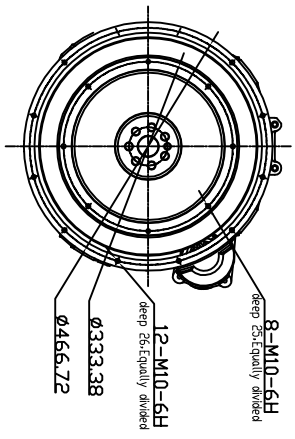
#### Conversion Table

PS = kW × 1.3596	in. = mm × 0.0394
psi = kg/cm <sup>2</sup> × 14.2233	
HP= PS x 0.98635	

1785



FLYWHEEL DIMENSION



SCALE	1/5	DATE	
DESIGN		13/07/28	
CHECKED			
APPROVED			
CLIENT			
PROJECT			
<b>KOODEC ENGINE ASSEMBLY</b>			
<b>KOP-185</b>			
REV. NO. 01			
REV. NO. 20230728-01			
REV. NO. 01			
REV. NO. 01			